



MANUALLY-OPERATED 3-WAY AIR VALVES

Push/Pull Valves



Push/Pull spool valves are 3-way configurations. The Detent version maintains spool position by friction, while the Momentary spring returns to the home position.

Operating Pressure: 0 to 115 psig

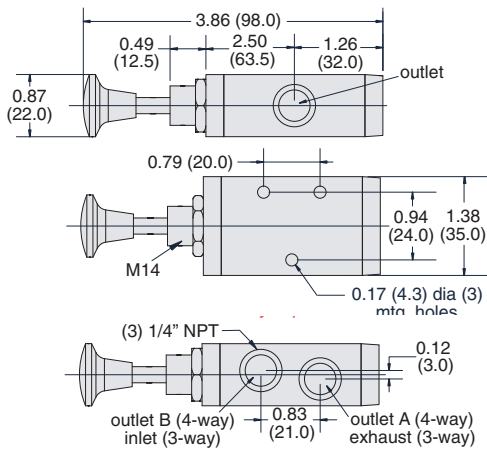
Cv: 0.89

Ports: 1/4" NPT, 1/8" NPT exhaust

Operating Temperature: 32 to 140°F (0 to 60°C)

Mounting: Panel or base mount

Part No.	Description
<u>MMV-P3QD</u>	3-Way, 3 Port Detented Push/Pull Valve



Lever Valves



Lever valves are 3-way spool valves with 1/4" NPT ports. They have either a Detented or Momentary manual operation.

Operating Pressure: 0 to 150 psig

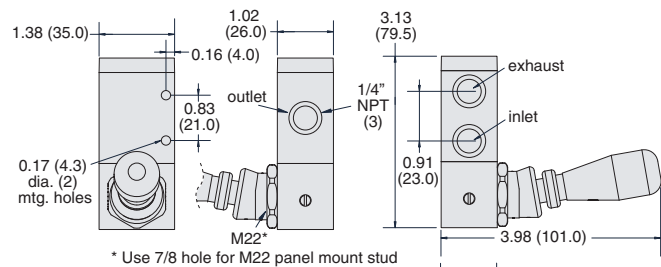
Cv: Detented: 1.0; Momentary: 0.89

Port Size: 1/4" NPT

Operating Temperature: 32 to 140°F (0 to 60°C)

Mounting: Panel or base mount

Part No.	Description
<u>MMV-L3QD</u>	3-Way, 2-Position Detented Valve
<u>MMV-L3QM</u>	3-Way, 2-Position Momentary Valve



Foot Pedal Valves

Foot Pedal Valve is a 3-way valve with 1/4" NPT ports with a low-profile flat pedal.

Operating Pressure: 0 to 150 psig

Cv: 1.4

Ports: 1/4" NPT

Mounting: Base mount

Operating Temperature: 32 to 140°F (0 to 60°C)

Part No.	Description
<u>MMV-F3QM-F</u>	3-Way Valve with Flat Pedal

